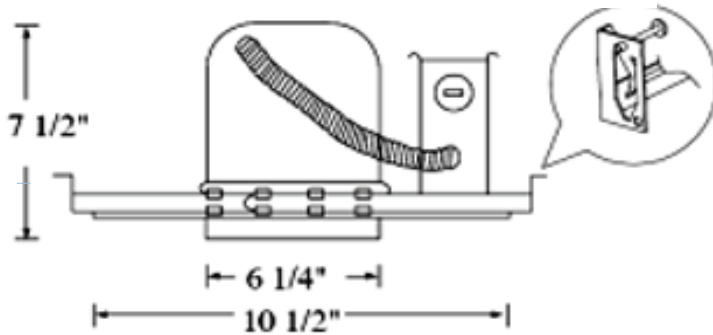


Application

Ideal for commercial, industrial facilities where economy, appearance and the ultimate ease of installation and maintenance are desired, also solid-state electronics to offer both reliability and low cost performance.

Features

IC AIR-TIGHT UNIVERSAL HOUSING NEW WORK
 Thermally protected against misuse of insulation and improper lamping
 (Suitable for insulated ceilings for total contact covered with insulation)
 UL, C-UL listed for damp location and feed through wiring
 J-box is listed for through-branch circuit wiring, 4 in 4 out, and (5) 1/2" knockouts, with strain clamps
 Adjustable socket bracket plate
 Pre-installed bar hangers allow the housing to be positioned at any point within 24" Joists span.



Ordering Information

- Example(EI700-R)

EI700	R
Series	Type
EI700	Blank-New Work R-Remodel
ET700	Blank-New Work R-Remodel
EI2700	Blank-New Work R-Remodel