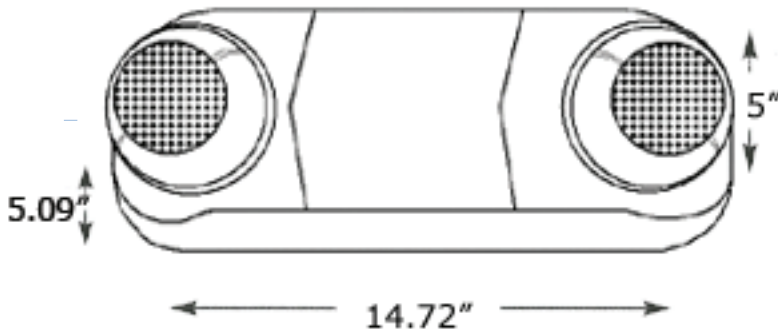




**Application**

Ideal for commercial, industrial facilities where economy, appearance and the ultimate ease of installation and maintenance are desired, also solid-state electronics to offer both reliability and low cost performance.



**Ordering Information**

- Example (FD5-18W-A-X-B-SDT)

