

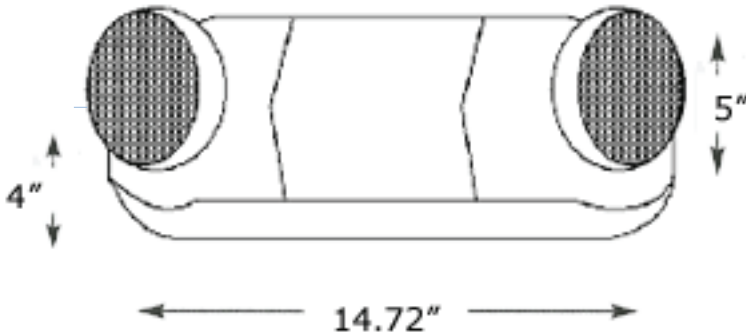


Application

Ideal for commercial, industrial facilities where economy, appearance and the ultimate ease of installation and maintenance are desired, also solid-state electronics to offer both reliability and low cost performance.

Features

- EnergyStar Partner
- Quick connect mounting plug plate
- Compact, stream line design in neutral finish
- Injection-molded, V-5 flame retardant, high -impact, thermoplastic housing
- 120 or 277 VAC, 60HZ dual voltage input
- Standard with 2 fully adjustable semi -recessed lighting heads
- Two 5.4 Watt wedge-base tungsten bulbs
- Wall or ceiling mounted
- Completely self-contained
- Automatic solid state charger



Ordering Information

- Example (FD5-A-X-B-SDT)

