

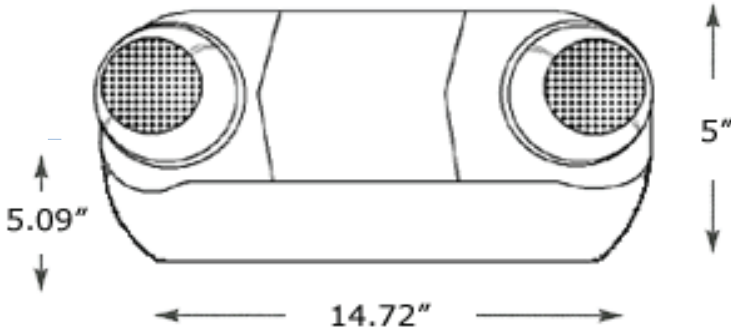


**Application**

Ideal for commercial, industrial facilities where economy, appearance and the ultimate ease of installation and maintenance are desired, also solid-state electronics to offer both reliability and low cost performance.

**Features**

- Dual Voltage input : 120/277 vac 60 Hz
- Self-diagnostic battery charger with automatic charger LED indicator
- Solid-state current Limited charger
- Solid-state switching circuit
- Solid-state line-latched low voltage disconnect protection
- reliable brown-out circuit
- ETL listed, conforms to UL 924
- Meets of NEC, OSHA, NAPA life safety code
- Rugged fiberglass



**Ordering Information**

Example (FD5-18W-A-X-B-SDT)

